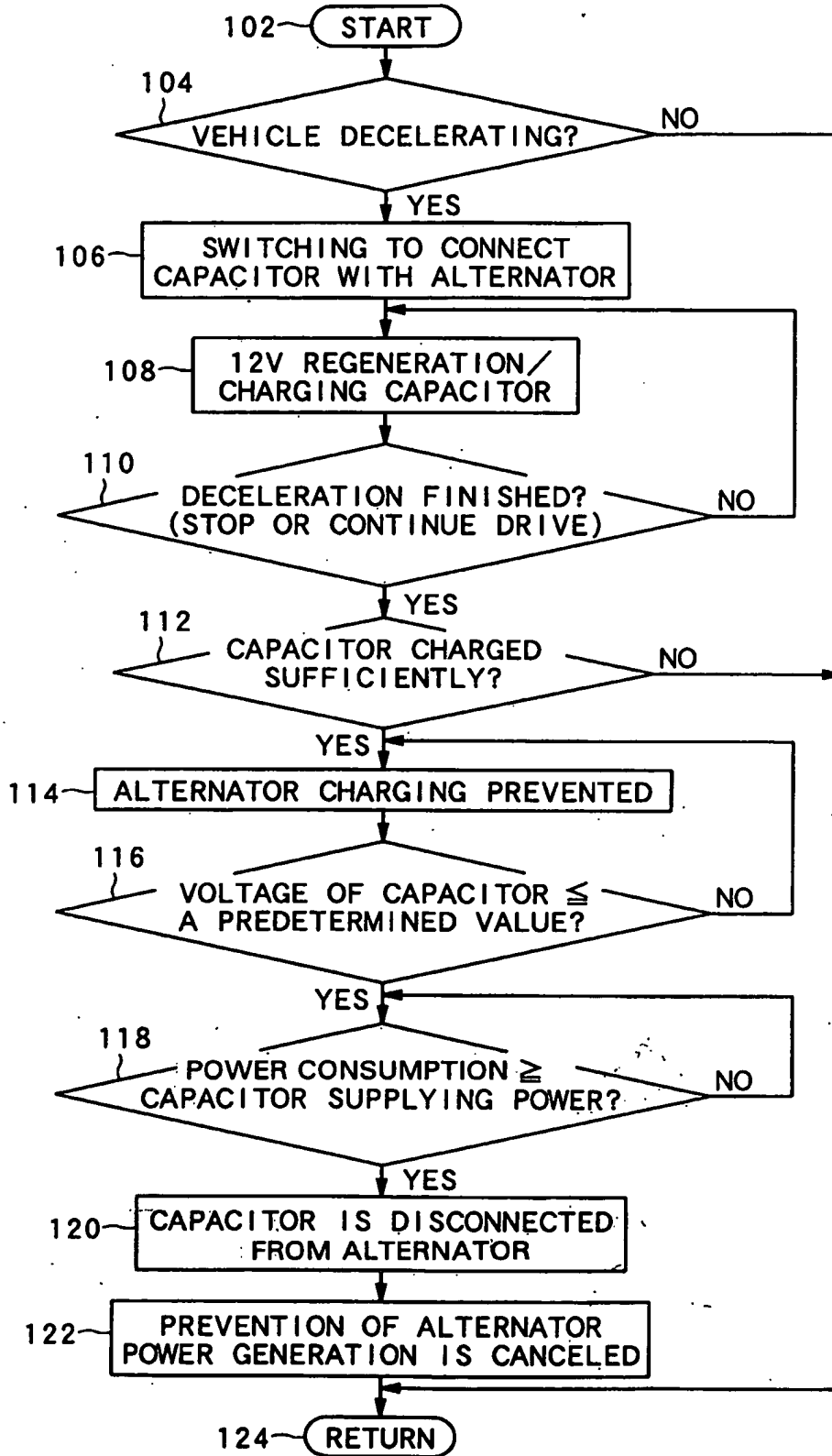


*approved pfb*

FIG. 1



OTPE JC106  
 JAN 07 2005  
 APPROVED  
 JH

# FIG.2

## OPERATION OF 12V REGENERATION AND CAPACITOR

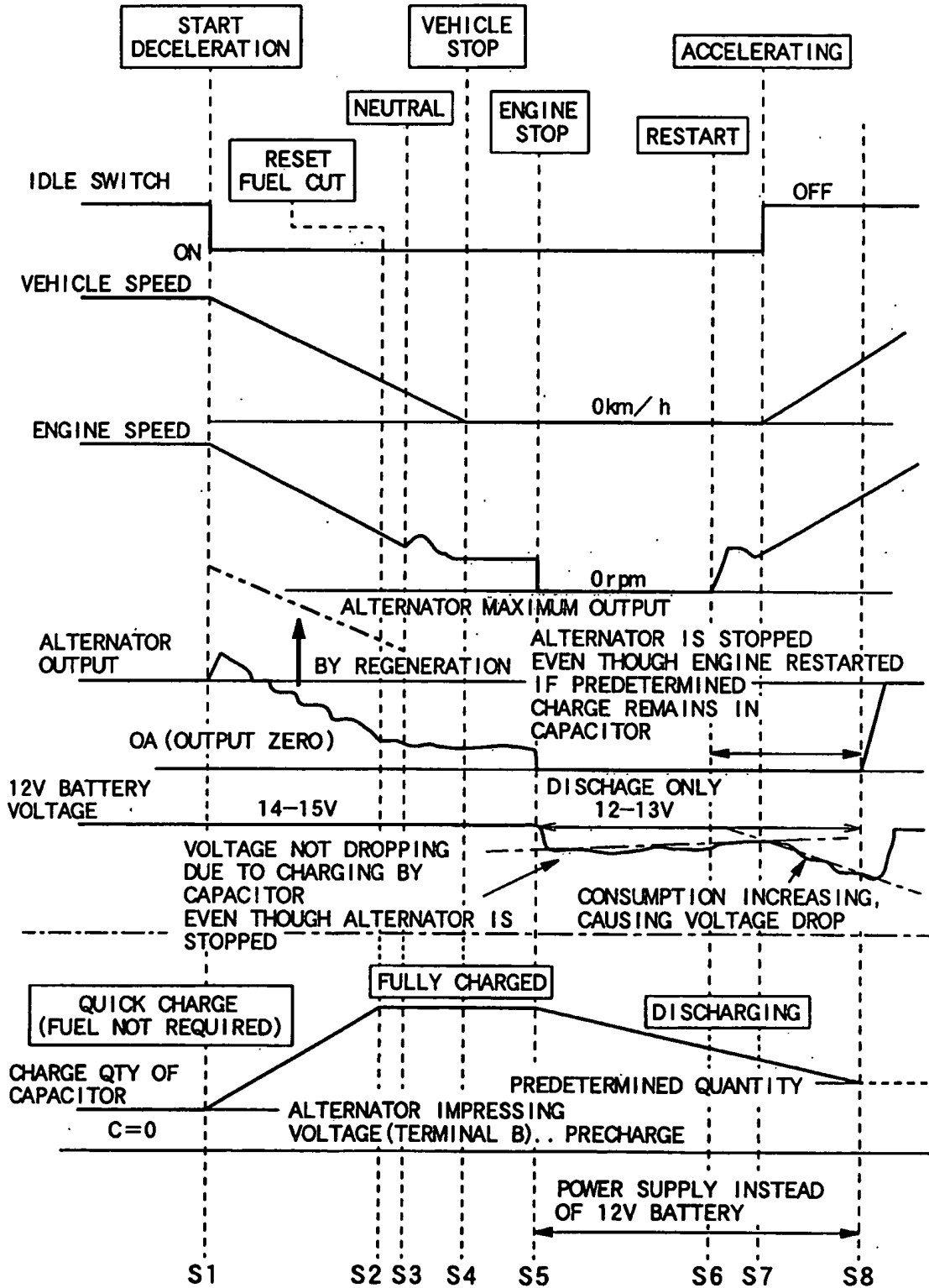


FIG.8

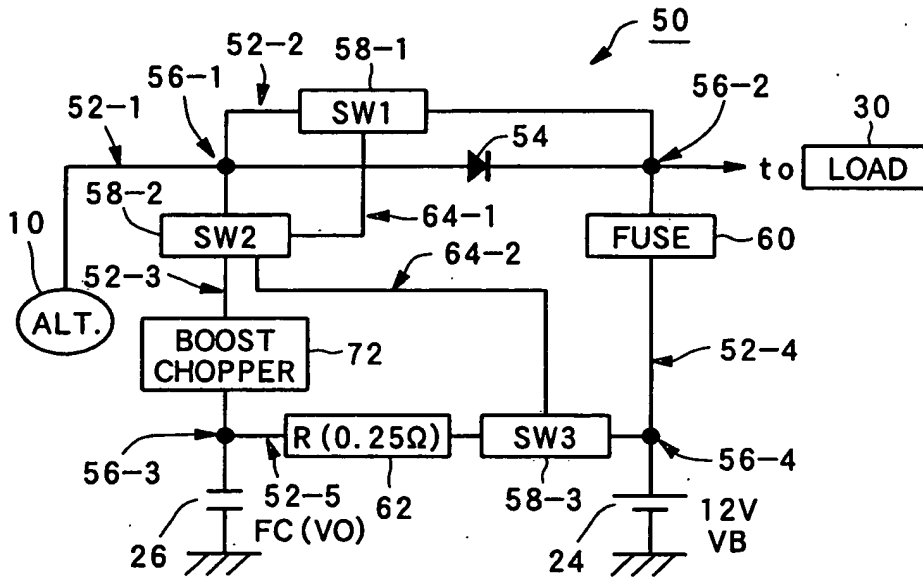


FIG.9

INTERLOCKS OF SW1, SW2, SW3

IF SW1 : ON (OFF) , THEN SW2 : OFF (ON)  
 IF SW3 : ON, THEN SW2 : OFF

	SW1	SW2	SW3
IN PRECHARGING	ON	OFF	ON
IN NORMAL OPERATION	ON	OFF	OFF
IN REGENERATING OR WHEN POWER CAN BE SUPPLIED FROM CAPACITOR	OFF	ON	OFF

